

# TWISTER

## COMMERCIAL

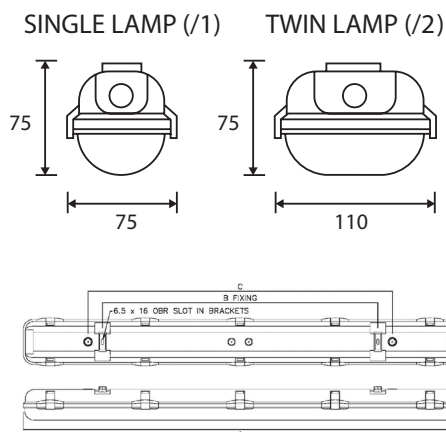


IP65 non-corrosive luminaire manufactured from impact resistant injection moulded polycarbonate. Suitable for areas that require protection from dust and moisture. Polycarbonate diffuser with smooth wipe clean outer surface retained by stainless steel clips for easy maintenance.

### TECHNICAL SPECIFICATIONS

Flourescent:	Led:
TW/128/** - 1 x 28W T5	TWL122/** - 1 X LED ARRAY 22W
TW/135/** - 1 x 35W T5	TWL246/** - 2 X LED ARRAY 46W
TW/149/** - 1 X 49W T5	TWL127/** - 1 X LED ARRAY 27W
TW/228/** - 2 X 28W T5	TWL253/** - 2 X LED ARRAY 53W
TW/235/** - 2 X 35W T5	
TW/249/** - 2 X 49W T5	

### LINE DRAWING



### OPTIONS

Fitting:	Light Source:	Wattage:	Colour:
TWISTER	T5/LED	22/27/28/35 /46/49/53W	WH
Options:			
Control Gear Options:			
HF, DSI, DALI, 1-10V			
Emergency Options:			
3HR Emergency (M3), 3 Hour Self Test (M3ST), 3 Hour DALI (M3DA)			

# POPLAR

## COMMERCIAL

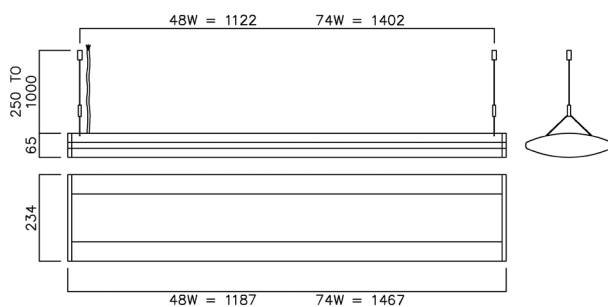


Suspended LED direct/indirect luminaire. Extruded Aluminium body in a white powder coated finish. PMMA high optical grade diffuser. 600mm suspension wire included. Suitable for retail, offices and communal areas.

### TECHNICAL SPECIFICATIONS

Mains Input:	234-240V AC 50/60Hz
Light Source:	Samsung LEDs
Colour Temperature:	4000K
Load Outputs:	48W, 4400lm, 91.6 Lm/W 70W, 5600lm, 80.0 Lm/W

### LINE DRAWING



### OPTIONS

Fitting:	Light Source:	Wattage:	Colour:
POPLAR	LED	48/70W	WH
Options:			
Emergency Options:			
3HR Emergency, Dimming.			

# MAPLE

## COMMERCIAL

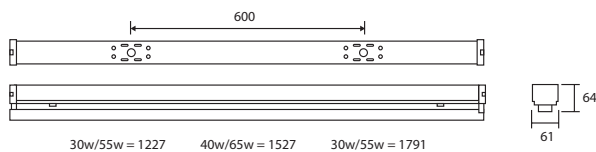


Surface mounted LED batten. Steel body, White gloss powder coated finish with polycarbonate end caps and opal diffuser. Suitable for workshops, garages and warehouses. Available in three different sizes each with standard and high output options.

### TECHNICAL SPECIFICATIONS

Load Options:	
4' Option.	30W, 3285 Lumens
	55W, 6470 Lumens
5' Option.	40W, 4650 Lumens
	65W, 7120 Lumens
6' Option.	50W, 5725 Lumens
	75W, 8370 Lumens
Colour Temperature:	4000K
Driver:	Supplied with Tridonic or Osram Driver.

### LINE DRAWING



### OPTIONS

Fitting:	Light Source:	Wattage:	Colour:
MAPLE	LED	30/55/40/65/50/75W	WH
Options:			
Function Options:			
3HR Emergency, Dimming, PIR Sensor, Available on request.			
Base Colour Options:			
White (WH)			

# BORA

## AMENITY

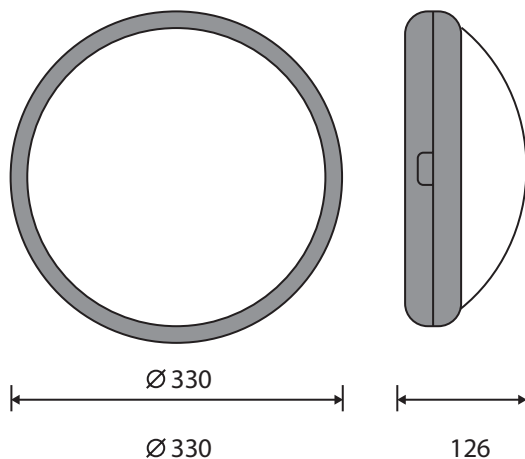


IP65 white polycarbonate base complete with opal polycarbonate diffuser with a unique lever release which provides easy access to the internal gear tray.

### TECHNICAL SPECIFICATION

Mains Supply:	230-240V AC 50/60Hz
Light Source:	LED 99 X SAMSUNG OM516B
Colour Rendering:	CRI>80
Colour Temperature:	3000/4000K
Ambient Temperature:	-20°C...+50°C
Life Time:	50,000 Hours
Loads Outputs:	350mA, 8.6W, 1670 Lumens, 194 Lm/W 500mA, 12.5W, 2300 Lumens, 184 Lm/W 700mA, 21.9W, 3192 Lumens, 145 Lm/W

### LINE DRAWING



### OPTIONS

Fitting:	Light Source:	Wattage:	Colour:
BORA	LED	8.6/12.5/21.9W	WH
Options:			
Colour Options:			
White (WH)			
Function Options:			
3HR Emergency (M3), Microwave Sensor (MS), PhotoCell (PC) 1-10V Dimming (1-10V) DALI Addressable (DA), Self Test (ST)			

# ZEPHYR ANTIMICROBIAL

## AMENITY

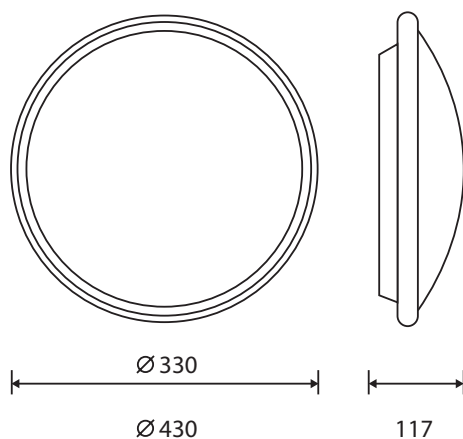
IP20 Surface mounted luminaire, injection moulded antimicrobial polycarbonate base complete with injection moulded antimicrobial polycarbonate lumax diffuser. The antimicrobial technology kills micro-organisms or inhibits their growth. ISO tested against MRSA and E.COLI and is proven to be 99.99% effective. Available as Solid White base or Halo backlight base.



### TECHNICAL SPECIFICATION

Mains Supply:	230-240V AC 50/60Hz
Light Source:	LED 99 X SAMSUNG OM516B
Colour Rendering:	CRI>80
Colour Temperature:	3000/4000K
Ambient Temperature:	-20°C...+50°C
Life Time:	50,000 Hours
Loads Outputs:	350mA, 8.6W, 1598 Lumens, 194 Lm/W
	500mA, 12.5W, 2201 Lumens, 184 Lm/W
	700mA, 21.9W, 3055 Lumens, 145 Lm/W

### LINE DRAWING



### OPTIONS

Fitting:	Light Source:	Wattage:	Colour:
ZEPHYR	LED	8.6/12.5/21.9W	WH
Options:			
Colour Options:			
Solid Body - White			
Trim - White,			
Halo Body - White			
Function Options:			
3HR Emergency (M3), Microwave Sensor (MS), 1-10V Dimming (1-10V) DALI Addressable (DA), Self Test (ST)			

# ZEPHYR

## AMENITY

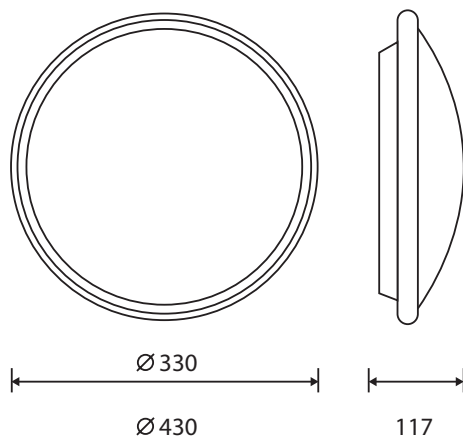


IP20 Surface mounted luminaire available with a semi recessing kit. Base and lumax diffuser are injection moulded polycarbonate. Lumax Opal Diffuser. Available with Halo back light option.

### TECHNICAL SPECIFICATION

Mains Supply:	230-240V AC 50/60Hz
Light Source:	LED 99 X SAMSUNG OM516B
Colour Rendering:	CRI>80
Colour Temperature:	3000/4000K
Ambient Temperature:	-20°C...+50°C
Life Time:	50,000 Hours
Loads Outputs:	350mA, 8.6W, 1670 Lumens, 194 Lm/W
	500mA, 12.5W, 2300 Lumens, 184 Lm/W
	700mA, 21.9W, 3192 Lumens, 145 Lm/W

### LINE DRAWING



### OPTIONS

Fitting:	Light Source:	Wattage:	Colour:
ZEPHYR	LED	8.6/12.5/21.9W	WH
Options:			
Colour Options:			
Solid Body - White Chrome Brass			
Trim - White, Chrome, Brass			
Halo Body - White, Clear, Blue, Green, Red			
Function Options:			
3HR Emergency (M3), Microwave Sensor (MS), PhotoCell (PC) 1-10V Dimming (1-10V) DALI Addressable (DA), Self Test (ST)			

# NEPTUNE

## AMENITY

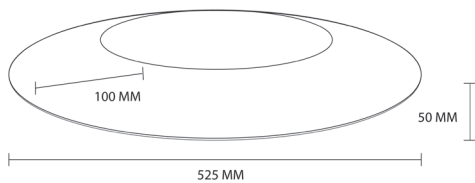


IP20 Surface mounted luminaire with a large steel decorative trim that allows for back light if required. Base and diffuser are injection moulded polycarbonate complete with opal lumax diffuser.

### TECHNICAL SPECIFICATION

Mains Supply:	230-240V AC 50/60Hz
Light Source:	LED 99 x Samsung OM561B
Colour Temperature:	3000/4000K
Colour Rendering:	CRI>80
Ambient Temperature:	-20°C...+50°C
Life Time:	50,000 Hours
Loads Outputs:	350mA, 8.6W, 1670 Lumens, 194 Lm/W 500mA, 12.5W, 2300 Lumens, 184 Lm/W 700mA, 21.9W, 3192 Lumens, 145 Lm/W

### LINE DRAWING



### OPTIONS

Fitting:	Light Source:	Wattage:	Colour:
NEPTUNE	LED	8.6/12.5/21.9W	WH
<b>Options:</b>			
<b>Colour Options:</b>			
Body - White (WH)			
Trim - White, Polished Chrome, Satin Silver, Polished Antique Brass			
<b>Function Options:</b>			
3HR Emergency (M3), Microwave Sensor (MS), PhotoCell (PC) 1-10V Dimming (1-10V) DALI Addressable (DA), Self Test (ST)			

# SHAMAL

## AMENITY

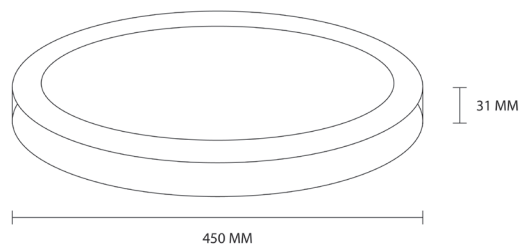


IP20 Surface mounted Luminaire with a steel decorative angled trim with a backlight option. Injection moulded polycarbonate base and opal lumax diffuser.

### TECHNICAL SPECIFICATION

Mains Supply:	230-240V AC 50/60Hz
Light Source:	LED 99 x Samsung OM561B
Colour Rendering:	CRI>80
Colour Temperature:	3000/4000K
Ambient Temperature:	-20°C...+50°C
Life Time:	50,000 Hours
Loads Outputs:	350mA, 8.6W, 1670 Lumens, 194 Lm/W 500mA, 12.5W, 2300 Lumens, 184 Lm/W 700mA, 21.9W, 3192 Lumens, 145 Lm/W

### LINE DRAWING



### OPTIONS

Fitting:	Light Source:	Wattage:	Colour:
SHAMAL	LED	8.6/12.5/21.9W	WH/SS/CH
Options:			
Colour Options:			
White (WH), Satin Silver (SS), Chrome (CH)			
Function Options:			
3HR Emergency (M3), Microwave Sensor (MS), PhotoCell (PC) 1-10V Dimming (1-10V) DALI Addressable (DA), Self Test (ST)			



# GALAXY

## AMENITY

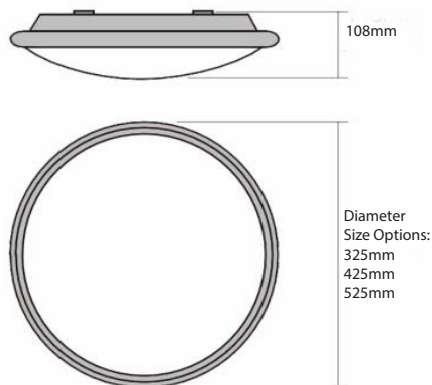


IP20 Surface mounted luminaire available in three sizes. Base is spun aluminium. Injection moulded polycarbonate lumax diffuser. Available in 3 size options.

### TECHNICAL SPECIFICATION

Mains Supply:	230-240V AC 50/60Hz LED
Light Source:	LED 99 x Samsung OM561B
Colour Temperature:	3000/4000K
Colour Rendering:	CRI>80
Ambient Temperature:	-20°C...+50°C
Life Time:	50,000 Hours
Loads Outputs:	350mA, 8.6W, 1670 Lumens, 194 Lm/W 500mA, 12.5W, 2300 Lumens, 184 Lm/W 700mA, 21.9W, 3192 Lumens, 145 Lm/W

### LINE DRAWING



### OPTIONS

Fitting:	Light Source:	Wattage:	Colour:
GALAXY	LED	8.6/12.5/21.9W	WH/AC/AB/SC/SB
Options:			
Trim Colour Options:			
White (WH), Anodised Chrome (AC), Anodised Brass (AB), Steel plated Chrome (SC), Steel plated Brass (SB)			
Function Options:			
3HR Emergency (M3), Microwave Sensor (MS), PhotoCell (PC) 1-10V Dimming (1-10V) DALI Addressable (DA), Self Test (ST)			

# BURAN

## AMENITY

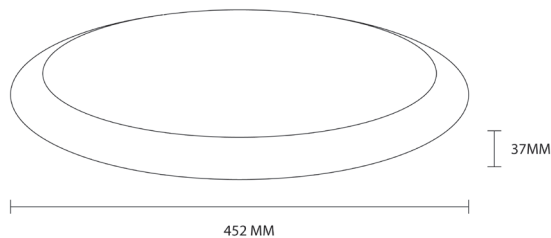


IP20 Surface mounted luminaire with a steel decorative trim that allows for back light if required. Base and diffuser are injection moulded polycarbonate complete with opal lumax diffuser.

### TECHNICAL SPECIFICATION

Mains Supply:	230-240V AC 50/60Hz
Light Source:	LED 99 x Samsung OM561B
Colour Temperature:	3000/4000K
Colour Rendering:	CRI>80
Ambient Temperature:	-20°C...+50°C
Life Time:	50,000 Hours
Loads Outputs:	350mA, 8.6W, 1670 Lumens, 194 Lm/W 500mA, 12.5W, 2300 Lumens, 184 Lm/W 700mA, 21.9W, 3192 Lumens, 145 Lm/W

### LINE DRAWING



### OPTIONS

Fitting:	Light Source:	Wattage:	Colour:
BURAN	LED	8.6/12.5/21.9W	WH
Options:			
Colour Options:			
Body - White (WH)			
Trim - White, Polished Chrome, Satin Silver			
Function Options:			
3HR Emergency (M3), Microwave Sensor (MS), PhotoCell (PC) 1-10V Dimming (1-10V) DALI Addressable (DA), Self Test (ST)			

# ZONDA B

## EXTERNAL

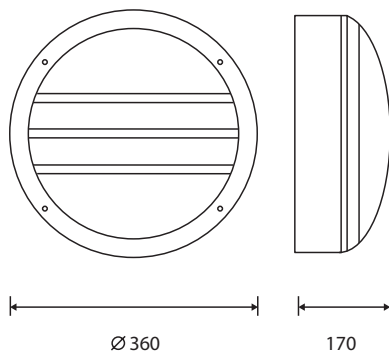


IP65 corrosion and vandal resistant luminaire. Die Cast Aluminium housing complete with front cover ring. Epoxy polyester UV stabilised powder coated finish. Fitted with Stainless Steel screws. UV stabilised impact resistant polycarbonate opal lumax diffuser, complete with Silicone rubber gasket.

### TECHNICAL SPECIFICATION

Mains Supply:	230-240V AC 50/60Hz
Light Source:	LED 99 x Samsung OM561B
Colour Temperature:	3000/4000K
Colour Rendering:	CRI>80
Ambient Temperature:	-20°C...+50°C
Life Time:	50,000 Hours
Loads Outputs:	350mA, 8.6W, 1670 Lumens, 194 Lm/W 500mA, 12.5W, 2300 Lumens, 184 Lm/W 700mA, 21.9W, 3192 Lumens, 145 Lm/W

### LINE DRAWING



### OPTIONS

Fitting:	Light Source:	Wattage:	Colour:
ZONDA B	LED	8.6/12.5/21.9W	BL/SL/AG
Options:			
Colour Options:			
Black (BL), Silver (SL), Anthracite Grey (AG) RAL Available			
Function Options:			
3HR Emergency (M3), Microwave Sensor (MS), PhotoCell (PC) 1-10V Dimming (1-10V) DALI Addressable (DA), Self Test (ST)			

# ZONDA O

## EXTERNAL

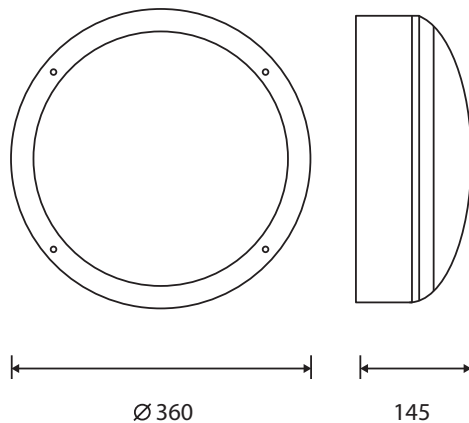


IP65 corrosion and vandal resistant luminaire. Die Cast Aluminium housing complete with front cover ring. Epoxy polyester UV stabilised powder coated finish. Fitted with Stainless Steel screws. UV stabilised impact resistant polycarbonate opal lumax diffuser, complete with Silicone rubber gasket.

### TECHNICAL SPECIFICATION

Mains Supply:	230-240V AC 50/60Hz
Light Source:	LED 99 x Samsung OM561B
Colour Temperature:	3000/4000K
Colour Rendering:	CRI>80
Ambient Temperature:	-20°C...+50°C
Life Time:	50,000 Hours
Loads Outputs:	350mA, 8.6W, 1670 Lumens, 194 Lm/W 500mA, 12.5W, 2300 Lumens, 184 Lm/W 700mA, 21.9W, 3192 Lumens, 145 Lm/W

### LINE DRAWING



### OPTIONS

Fitting:	Light Source:	Wattage:	Colour:
ZONDA O	LED	8.6/12.5/21.9W	WH/SL/AG
Options:			
Colour Options:			
Black (BL), Silver (SL), Anthracite Grey (AG) RAL Available			
Function Options:			
3HR Emergency (M3), Microwave Sensor (MS), PhotoCell (PC) 1-10V Dimming (1-10V) DALI Addressable (DA), Self Test (ST)			

# ZONDA B

## EXTERNAL

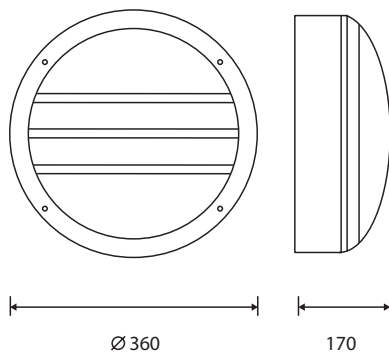


IP65 corrosion and vandal resistant luminaire. Die Cast Aluminium housing complete with front cover ring. Epoxy polyester UV stabilised powder coated finish. Fitted with Stainless Steel screws. UV stabilised impact resistant polycarbonate opal lumax diffuser, complete with Silicone rubber gasket.

### TECHNICAL SPECIFICATION

Mains Supply:	230-240V AC 50/60Hz
Light Source:	LED 99 x Samsung OM561B
Colour Temperature:	3000/4000K
Colour Rendering:	CRI>80
Ambient Temperature:	-20°C...+50°C
Life Time:	50,000 Hours
Loads Outputs:	350mA, 8.6W, 1670 Lumens, 194 Lm/W 500mA, 12.5W, 2300 Lumens, 184 Lm/W 700mA, 21.9W, 3192 Lumens, 145 Lm/W

### LINE DRAWING



### OPTIONS

Fitting:	Light Source:	Wattage:	Colour:
ZONDA B	LED	8.6/12.5/21.9W	BL/SL/AG
Options:			
Colour Options:			
Black (BL), Silver (SL), Anthracite Grey (AG) RAL Available			
Function Options:			
3HR Emergency (M3), Microwave Sensor (MS), PhotoCell (PC) 1-10V Dimming (1-10V) DALI Addressable (DA), Self Test (ST)			



ZONDA CB -BCP 7014

# SAFFRON

## EXTERNAL

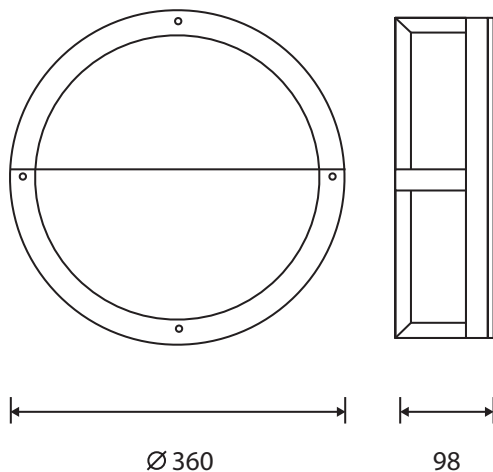


IP65 Corrosion and Vandal resistant luminaire. Die Cast Aluminium housing complete with front half hood and Halo effect from the 180° side cut outs. Epoxy polyester UV stabilised powder coated finish. Fitted with Stainless Steel screws. UV stabilised impact resistant one piece polycarbonate opal diffuser complete with silicone rubber gasket.

### TECHNICAL SPECIFICATION

Mains Supply:	230-240V AC 50/60Hz
Light Source:	LED 99 x Samsung OM561B
Colour Temperature:	3000/4000K
Colour Rendering:	CRI>80
Ambient Temperature:	-20°C...+50°C
Life Time:	50,000 Hours
Loads Outputs:	350mA, 8.6W, 1670 Lumens, 194 Lm/W 500mA, 12.5W, 2300 Lumens, 184 Lm/W 700mA, 21.9W, 3192 Lumens, 145 Lm/W

### LINE DRAWING



### OPTIONS

Fitting:	Light Source:	Wattage:	Colour:
SAFFRON	LED	8.6/12.5/21.9W	BL/SL
Options:			
Colour Options:			
Black (BL), Silver (SL) RAL Available			
Function Options:			
3HR Emergency (M3), Microwave Sensor (MS), PhotoCell (PC) 1-10V Dimming (1-10V) DALI Addressable (DA), Self Test (ST)			

# YAMO

## EXTERNAL

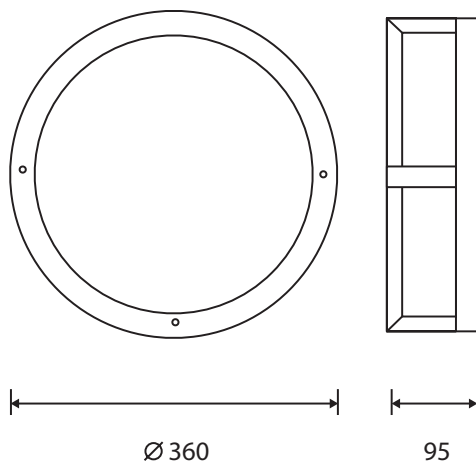


IP65 corrosion and vandal resistant luminaire. Die Cast Aluminium housing complete with front ring and Halo effect from the 360 deg. side cut outs. Epoxy polyester UV stabilised powder coated finish. Fitted with Stainless Steel screws. UV stabilised impact resistant one piece polycarbonate opal diffuser, complete with Silicone rubber gasket.

### TECHNICAL SPECIFICATION

Mains Supply:	230-240V AC 50/60Hz
Light Source:	LED 99 x Samsung OM561B
Colour Temperature:	3000/4000K
Colour Rendering:	CRI>80
Ambient Temperature:	-20°C...+50°C
Life Time:	50,000 Hours
Loads Outputs:	350mA, 8.6W, 1670 Lumens, 194 Lm/W 500mA, 12.5W, 2300 Lumens, 184 Lm/W 700mA, 21.9W, 3192 Lumens, 145 Lm/W

### LINE DRAWING



### OPTIONS

Fitting:	Light Source:	Wattage:	Colour:
YAMO	LED	8.6/12.5/21.9W	BL/SL/AG
Options:			
Colour Options:			
Black (BL), Silver (SL), Anthracite Grey (AG) RAL Available			
Function Options:			
3HR Emergency (M3), Microwave Sensor (MS), PhotoCell (PC) 1-10V Dimming (1-10V) DALI Addressable (DA), Self Test (ST)			



ROUND EASY LED OPEN FACE  
WPR250FEQF1X17U5KLB

ROUND EASY LED - HOOD  
WPR25HCEQ1X17U5KLB  
QSSI

ROUND EASY GRID FRAM  
WPR25GREQF1X17U5KLB

SQUARE EASY LED OPEN FACE  
WPS250FEQF1X17U5KLB

SQUARE EASY LED HOOD  
WPS25HCEQF1X17U5KLB

SQUARE EASY LED GRID FRAME  
WPS25GREQF1X17U5KLB

# EAGLE O

## EXTERNAL

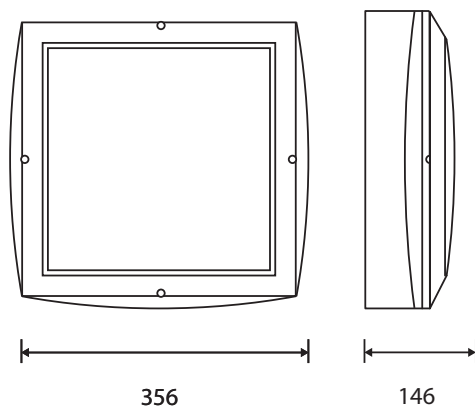


IP65 corrosion and vandal resistant luminaire. Die Cast Aluminium housing complete with front cover ring. Epoxy polyester UV stabilised powder coated finish. Fitted with Stainless Steel screws. UV stabilised impact resistant polycarbonate opal diffuser, complete with silicone rubber gasket.

### TECHNICAL SPECIFICATION

Mains Supply:	230-240V AC 50/60Hz
Light Source:	LED 99 x Samsung OM561B
Colour Temperature:	3000/4000K
Colour Rendering:	CRI>80
Ambient Temperature:	-20°C...+50°C
Life Time:	50,000 Hours
Loads Outputs:	350mA, 8.6W, 1670 Lumens, 194 Lm/W 500mA, 12.5W, 2300 Lumens, 184 Lm/W 700mA, 21.9W, 3192 Lumens, 145 Lm/W

### LINE DRAWING



### OPTIONS

Fitting:	Light Source:	Wattage:	Colour:
EAGLE O	LED	8.6/12.5/21.9W	BL/SL
Options:			
Colour Options:			
Black (BL), Silver (SL) RAL Available			
Function Options:			
3HR Emergency (M3), Microwave Sensor (MS), PhotoCell (PC) 1-10V Dimming (1-10V) DALI Addressable (DA), Self Test (ST)			

# EAGLE H

## EXTERNAL

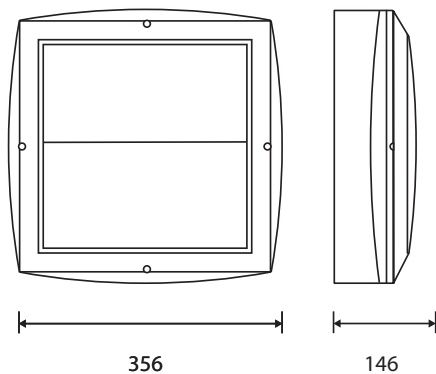


IP65 corrosion and vandal resistant luminaire. Die Cast Aluminium housing complete with front cover ring. Epoxy polyester UV stabilised powder coated finish. Fitted with Stainless Steel screws. UV stabilised impact resistant polycarbonate opal diffuser, complete with silicone rubber gasket.

### TECHNICAL SPECIFICATION

Mains Supply:	230-240V AC 50/60Hz
Light Source:	LED 99 x Samsung OM561B
Colour Temperature:	3000/4000K
Colour Rendering:	CRI>80
Ambient Temperature:	-20°C...+50°C
Life Time:	50,000 Hours
Loads Outputs:	350mA, 8.6W, 1670 Lumens, 194 Lm/W 500mA, 12.5W, 2300 Lumens, 184 Lm/W 700mA, 21.9W, 3192 Lumens, 145 Lm/W

### LINE DRAWING



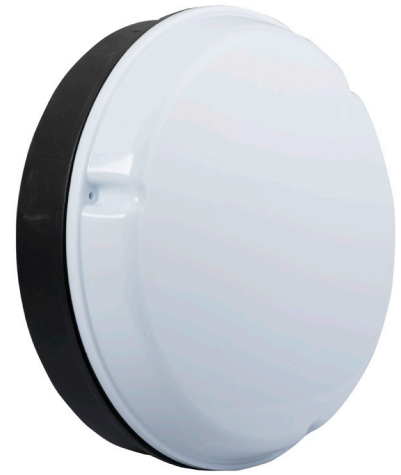
### OPTIONS

Fitting:	Light Source:	Wattage:	Colour:
EAGLE H	LED	8.6/12.5/21.9W	BL/SL
Options:			
Colour Options:			
Black (BL), Silver (SL) RAL Available			
Function Options:			
3HR Emergency (M3), Microwave Sensor (MS), PhotoCell (PC) 1-10V Dimming (1-10V) DALI Addressable (DA), Self Test (ST)			



# KORA

## EXTERNAL

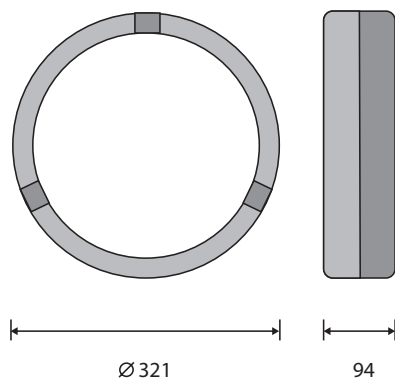


IP65 Corrosion Resistant luminaire. Polycarbonate or Die Cast Aluminium base. Die Cast base has an epoxy polyester UV stabilised powder coated finish. UV stabilised impact resistant opal diffuser complete with silicone rubber gasket.

### TECHNICAL SPECIFICATION

Mains Supply:	230-240V AC 50/60Hz
Light Source:	LED 99 x Samsung OM561B
Colour Temperature:	3000/4000K
Colour Rendering:	CRI>80
Ambient Temperature:	-20°C...+50°C
Life Time:	50,000 Hours
Loads Outputs:	350mA, 8.6W, 1670 Lumens, 194 Lm/W 500mA, 12.5W, 2300 Lumens, 184 Lm/W 700mA, 21.9W, 3192 Lumens, 145 Lm/W

### LINE DRAWING



### OPTIONS

Fitting:	Light Source:	Wattage:	Colour:
KORA	LED	8.6/12.5/21.9	WH/BL
Options:			
Colour Options:			
White (WH), Black (BL)			
Function Options:			
3HR Emergency (M3), Microwave Sensor (MS), PhotoCell (PC) 1-10V Dimming (1-10V) DALI Addressable (DA), Self Test (ST)			

# NORTHER

## EXTERNAL

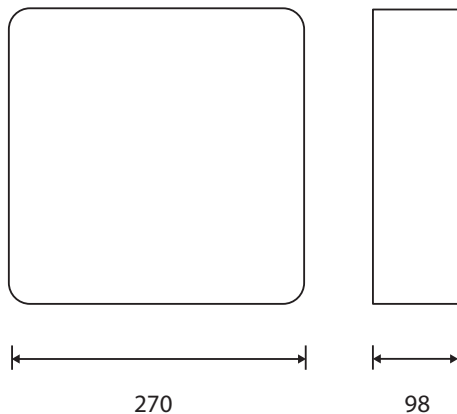


IP65 low profiled square styled luminaire with a choice of polycarbonate or Die cast aluminium base complete with silicone rubber gasket seal. Vandal resistant polycarbonate opal diffuser. Tamper proof screws available on request.

### TECHNICAL SPECIFICATION

Mains Supply:	230-240V AC 50/60Hz
Light Source:	LED 99 x Samsung OM561B
Colour Temperature:	3000/4000K
Colour Rendering:	CRI>80
Ambient Temperature:	-20°C...+50°C
Life Time:	50,000 Hours
Loads Outputs:	350mA, 8.6W, 1670 Lumens, 194 Lm/W 500mA, 12.5W, 2300 Lumens, 184 Lm/W 700mA, 21.9W, 3192 Lumens, 145 Lm/W

### LINE DRAWING



### OPTIONS

Fitting:	Light Source:	Wattage:	Colour:
NORTHER	LED	8.6/12.5/21.9W	WH/BL
Options:			
Colour Options:			
White (WH), Black (BL)			
Function Options:			
3HR Emergency (M3), Microwave Sensor (MS), PhotoCell (PC) 1-10V Dimming (1-10V) DALI Addressable (DA), Self Test (ST)			

PENHALE SALUS ANTI LIG  
NEEDS COCO NAME

LEVANTO  
NVC PARAGON 30W LED WPR30LED

# CHILI FLAT

## EXTERNAL

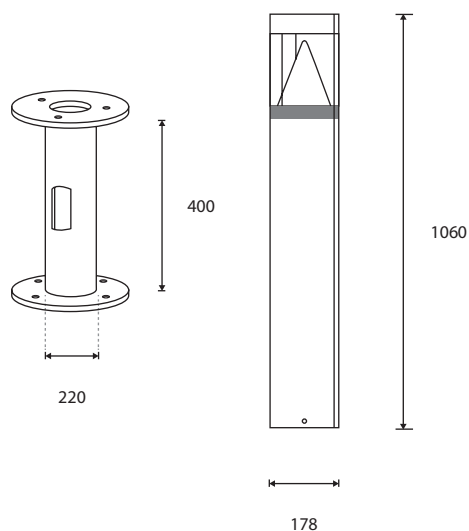


Extruded Aluminium housing with flush mounting base and vandal resistant screws. Clear polycarbonate lens and specially designed aluminium cone reflector for LED. Black powder coat finish over a chromate conversion coating. Internal gear tray for easy maintenance with 200mm anchor bolts. Option for root mounting.

### TECHNICAL SPECIFICATION

Mains Supply:	230-240V AC 50/60Hz
Light Source:	17W LED
Colour Temperature:	5000K
Colour Rendering:	CRI>83
Ambient Temperature:	-20°C...+50°C
Life Time:	50,000HR
Lumen Outputs:	1030 Lumens

### LINE DRAWING



### OPTIONS

Fitting:	Light Source:	Wattage:	Colour:
CHILI FLAT	LED	17W	BL
Options:			
Function Options:			
3HR Emergency, 3500K LED Board, Microwave sensor, Corridor function.			
Base Colour Options:			
Black (BL), Silver (SL)			
Route Mount			

# CHILI FLAT

## EXTERNAL

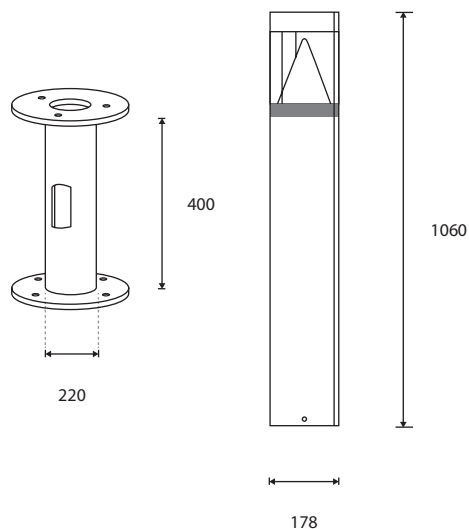


Extruded Aluminium housing with flush mounting base and vandal resistant screws. Clear polycarbonate lens and specially designed aluminium cone reflector for LED. Black powder coat finish over a chromate conversion coating. Internal gear tray for easy maintenance with 200mm anchor bolts. Option for root mounting.

### TECHNICAL SPECIFICATION

Mains Supply:	230-240V AC 50/60Hz
Light Source:	17W LED
Colour Temperature:	5000K
Colour Rendering:	CRI>83
Ambient Temperature:	-20°C...+50°C
Life Time:	50,000HR
Lumen Outputs:	1030 Lumens

### LINE DRAWING



### OPTIONS

Fitting:	Light Source:	Wattage:	Colour:
CHILI FLAT	LED	17W	BL
Options:			
Function Options:			
3HR Emergency, 3500K LED Board, Microwave sensor, Corridor function.			
Base Colour Options:			
Black (BL), Silver (SL)			
Route Mount			

# CHILI DOME

## EXTERNAL

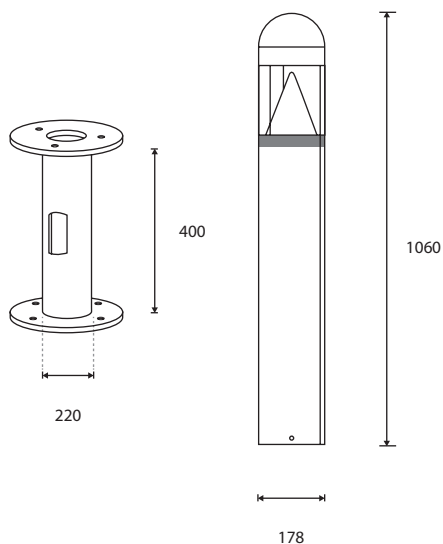
Extruded Aluminium housing with flush mounting base and vandal resistant screws. Clear polycarbonate lens and specially designed aluminium cone reflector for LED. Black powder coat finish over a chromate conversion coating. Internal gear tray for easy maintenance with 200mm anchor bolts. Option for root mounting.



### TECHNICAL SPECIFICATION

Mains Supply:	230-240V AC 50/60Hz
Light Source:	17W LED
Colour Temperature:	5000K
Colour Rendering:	CRI>83
Ambient Temperature:	-20°C...+50°C
Life Time:	50,000 Hours
Lumen Outputs:	1384 Lumen

### LINE DRAWING



### OPTIONS

Fitting:	Light Source:	Wattage:	Colour:
CHILI DOME	LED	17W	BL
Options:			
Colour Options:			
Black (BL)			
Function Options:			
3HR Emergency (M3), Root Mount kit.			

# CHILI DOME SS

## EXTERNAL

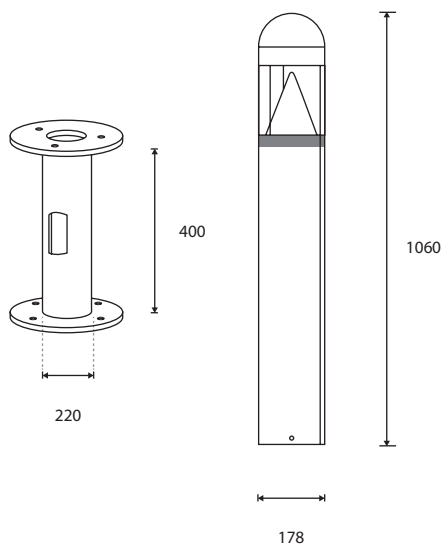


Formed 316 Stainless Steel housing with flush mounting base and vandal resistant screws. Clear polycarbonate lens and specially designed aluminium cone reflector for LED. Brushed Stainless Steel finish. Internal gear tray for easy maintenance with 200mm anchor bolts. Option for root mounting. Suitable for coastal environments.

### TECHNICAL SPECIFICATION

Mains Supply:	230-240V AC 50/60Hz
Light Source:	15W LED
Colour Temperature:	5000K
Colour Rendering:	CRI>83
Ambient Temperature:	-20°C...+50°C
Life Time:	50,000 Hours
Lumen Outputs:	1384 Lumen

### LINE DRAWING



### OPTIONS

Fitting:	Light Source:	Wattage:	Colour:
CHILI DOME	LED	17W	BL
Options:			
Colour Options:			
Brushed Stainless Steel (SS)			
Function Options:			
3HR Emergency (M3), Root Mount kit.			



DARK SKY BOLLARD  
NEEDS COCO NAME  
QSSI NOT  
LAUNCHED YET..!

KHASMIN

# ASPRE R

## EMERGENCY

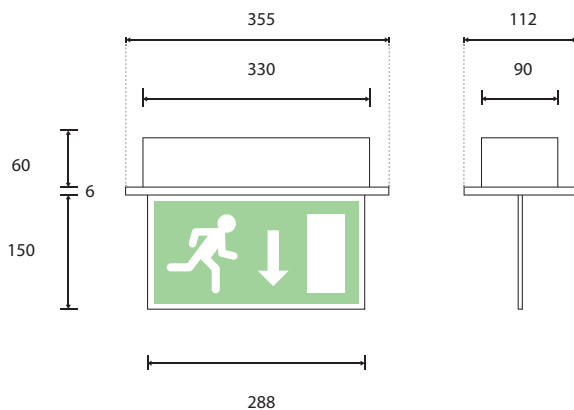


Recessed LED Exit Sign, stylish slim design, providing up to 28 metres viewing distance. Adjustable mounting brackets to support any thickness. Available as Maintained 3HR Emergency with option for self-test or DALI. Ideal for ceiling fixings.

### TECHNICAL SPECIFICATIONS

Mains Supply:	230-240V AC 50/60Hz
Light Source:	15 Long life white LEDs
Battery:	4.8V 1.1Ah NiCd
Charge Current:	200mA nominal
Recharge Period:	24HR
Power:	12VA
IP Rating:	IP20
Life Time:	50,000HR

### LINE DRAWING



### OPTIONS

Fitting:	Light Source:	Wattage:	Colour:
ASPRE R	LED	-	WH
Options:			
Colour Options:			
White (WH)			
Legend Options:			
Arrow Down (AD), Arrow Left (AL), Arrow Right (AR)			
Function Options:			
DALI, Self-Test.			

# PALM

## EMERGENCY

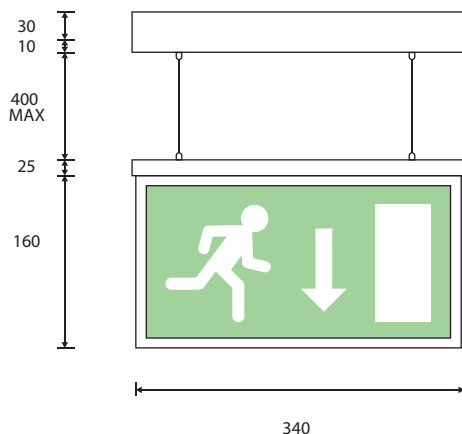
Maintained 3 Hour Emergency LED Exit sign luminaire. Attractive method of providing an illuminated safety sign with adjustable suspension heights from a surface mounted gear box and with no visible power cable. Comes with arrow down legend as standard.



### TECHNICAL SPECIFICATIONS

LED Specification:	6W
	3.6V 1.5A Ni-Cd
	6500K
	White LED

### LINE DRAWING



### OPTIONS

Fitting:	Light Source:	Wattage:	Colour:
PALM	LED	6W	WH
Options:			
Self-Test.			
Legend Options:			
Arrow Down (AD), Arrow Left (AL), Arrow Right (AR)			

# ASPRE R

## EMERGENCY

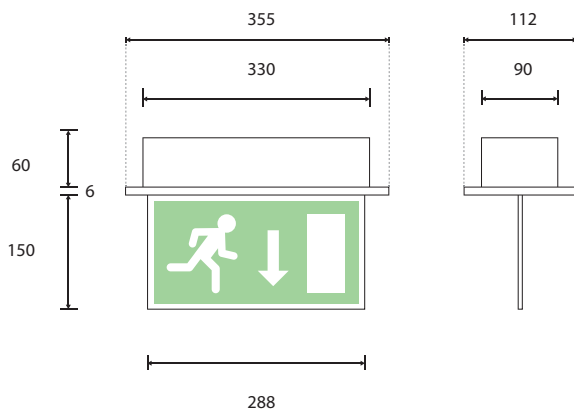


Recessed LED Exit Sign, stylish slim design, providing up to 28 metres viewing distance. Adjustable mounting brackets to support any thickness. Available as Maintained 3HR Emergency with option for self-test or DALI. Ideal for ceiling fixings.

### TECHNICAL SPECIFICATIONS

Mains Supply:	230-240V AC 50/60Hz
Light Source:	15 Long life white LEDs
Battery:	4.8V 1.1Ah NiCd
Charge Current:	200mA nominal
Recharge Period:	24HR
Power:	12VA
IP Rating:	IP20
Life Time:	50,000HR

### LINE DRAWING



### OPTIONS

Fitting:	Light Source:	Wattage:	Colour:
ASPRE R	LED	-	WH
Options:			
Colour Options:			
White (WH)			
Legend Options:			
Arrow Down (AD), Arrow Left (AL), Arrow Right (AR)			
Function Options:			
DALI, Self-Test.			

# ASPRE

## EMERGENCY

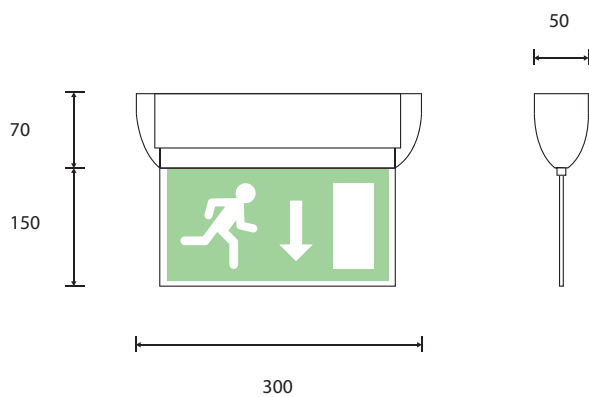
LED Exit Sign, stylish slim design, providing up to 28 metres viewing distance. Multiple mounting options to suite any need. Available as Maintained 3HR Emergency with option for self-test or DALI.



### TECHNICAL SPECIFICATIONS

Mains Supply:	230-240V AC 50/60Hz
Light Source:	15 Long life white LEDs
Battery:	4.8V 1.1Ah NiCd
Charge Current:	200mA nominal
Recharge Period:	24HR
Power:	12VA
IP Rating:	IP20
Life Time:	50,000HR

### LINE DRAWING



### OPTIONS

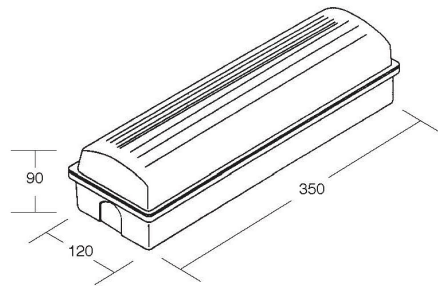
Fitting:	Light Source:	Wattage:	Colour:
ASPRE	LED	-	SL/WH
Options:			
Colour Options:			
Silver (SL), White (WH)			
Legend Options:			
Arrow Down (AD), Arrow Left (AL), Arrow Right (AR)			
Mounting Options:			
Ceiling Bracket (CBRK), Wall Bracket (WBRK), End Bracket (EBRK), Wire Suspension kit (WIRE)			

# HURRICANE

## EMERGENCY



### LINE DRAWING



IP65 LED Emergency Lighting Bulkhead for escape route lighting. Suitable for surface mounting or can be supplied with a semi recessing bezel.

### TECHNICAL SPECIFICATIONS

Mains Supply:	230-240V AC 50/60Hz
Light Source:	16 x white LEDs
Life Time:	50,000 Hours
Emergency Output:	90 Lumen

Mounting Height (m)	Trans to wall	Trans to Trans	Axial to Trans	Axial to Axial	Axial to Wall	
2.5	1.6	5.9	4.3	3.0	1.0	1 Lux min
4.0	1.1	4.7	3.6	2.6	0.4	at centre
2.5	2.6	8.7	7.2	4.7	1.2	0.5 Lux min
4.0	1.9	8.5	7.0	4.5	0.6	open

### OPTIONS

Fitting:	Light Source:	Wattage:	Colour:
HURRICANE	LED	10W	WH
Options:			
Hurricane/230 mains only version available.			
Legend Options:			
Self Adhesive Legend kit.			

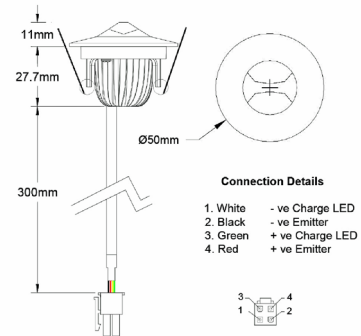
# DSMD CO

## EMERGENCY



LED recessed Non-Maintained emergency downlight with batteries, driver and bicolour charge indicator. Corridor lens designed to distribute light along narrow walkways or escape routes. 3W high output LED. Designed to fit through 43mm aperture.

### LINE DRAWING



### TECHNICAL SPECIFICATIONS

Light Source:	3W LED Edison EDEW
Series Mains Input:	230-240V AC 50/60 Hz
Emergency Duration:	3 hours
Battery Type:	3.6V 4.5Ah Nickel Cadmium
Charger:	200mA Constant Current
Recharge Time:	24 Hours
Discharge Current:	Nominal 1000mA
Cut-Off Voltage:	3.0 Volts
Temperature Rating:	25°C Ambient
Beam Angle:	125° x 50°

Spacing Table at 700mA

Mounting Height (m)	Along Corridor (Length)			
	Distance to wall		Distance between fittings	
	0.5	1.0	0.5	1.0
2.5	5.2	4.6	11.9	10.2
3.0	5.8	5.1	13.1	11.4
4.0	6.9	5.8	15.6	13.7
5.0	7.9	5.0	18.0	15.5
6.0	8.3	4.2	20.1	15.5
8.0	6.5	-	21.9	12.7
Mounting Height (m)	Across Corridor (Width)			
	0.5	1.0	0.5	1.0
	2.5	2.8	1.9	7.2
3.0	2.6	2.1	7.6	5.1
4.0	2.8	2.2	7.4	5.4
5.0	3.1	2.1	7.3	6.0
6.0	3.1	1.9	8.0	6.0
8.0	2.8	-	8.6	5.4

### OPTIONS

Fitting:	Light Source:	Wattage:	Colour:
DSMD CO	LED	3W	WH
Options:			
Function Options:			
3HR Emergency (NM3), Self-Test (ST), DALI (DA).			



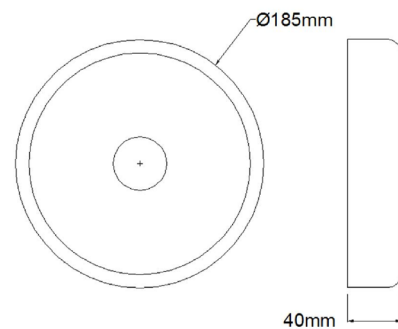
# CCMD R CO

## EMERGENCY

A compact 3W self contained circular emergency lighting LED luminaire complete with non-maintained emergency control module and battery housed in steel casing. With Corridor lens designed to distribute light along narrow walkways or escape routes. 3W high output LED.



### LINE DRAWING



### TECHNICAL SPECIFICATIONS

Light Source:	3W LED Edison EDEW
Series Mains Input:	230-240V AC 50/60 Hz
Emergency Duration:	3 hours
Battery Type:	3.6V 4.5Ah Nickel Cadmium
Charger:	200mA Constant Current
Recharge Time:	24 Hours
Discharge Current:	Nominal 1000mA
Cut-Off Voltage:	3.0 Volts
Temperature Rating:	25°C Ambient
Beam Angle:	125° x 50°

Spacing Table at 700mA

Mounting Height (m)	Along Corridor (Length)			
	Distance to wall		Distance between fittings	
	0.5	1.0	0.5	1.0
2.5	5.2	4.6	11.9	10.2
3.0	5.8	5.1	13.1	11.4
4.0	6.9	5.8	15.6	13.7
5.0	7.9	5.0	18.0	15.5
6.0	8.3	4.2	20.1	15.5
8.0	6.5	-	21.9	12.7
Mounting Height (m)	Across Corridor (Width)			
	0.5		1.0	
	0.5	1.0	0.5	1.0
2.5	2.8	1.9	7.2	5.5
3.0	2.6	2.1	7.6	5.1
4.0	2.8	2.2	7.4	5.4
5.0	3.1	2.1	7.3	6.0
6.0	3.1	1.9	8.0	6.0
8.0	2.8	-	8.6	5.4

### OPTIONS

Fitting:	Light Source:	Wattage:	Colour:
CCMD R CO	LED	3W	WH
Options:			
Function Options:			
3HR Emergency (NM3), Self-Test (ST), DALI (DA).			
RAL Colour Available			

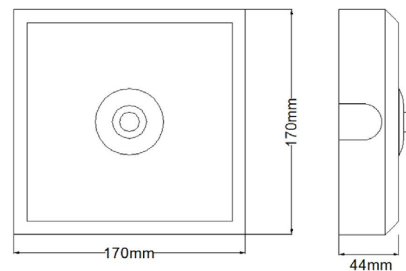
# CCMD S CO

## EMERGENCY



A compact 3W self contained square emergency lighting LED luminaire complete with non-maintained emergency control module and battery housed in steel casing. With Corridor lens designed to distribute light along narrow walkways or escape routes. 3W high output LED.

### LINE DRAWING



### TECHNICAL SPECIFICATIONS

Light Source:	3W LED Edison EDEW
Series Mains Input:	230-240V AC 50/60 Hz
Emergency Duration:	3 hours
Battery Type:	3.6V 4.5Ah Nickel Cadmium
Charger:	200mA Constant Current
Recharge Time:	24 Hours
Discharge Current:	Nominal 1000mA
Cut-Off Voltage:	3.0 Volts
Temperature Rating:	25°C Ambient
Beam Angle:	125° x 50°

Spacing Table at 700mA

Mounting Height (m)	Along Corridor (Length)			
	Distance to wall		Distance between fittings	
	0.5	1.0	0.5	1.0
2.5	5.2	4.6	11.9	10.2
3.0	5.8	5.1	13.1	11.4
4.0	6.9	5.8	15.6	13.7
5.0	7.9	5.0	18.0	15.5
6.0	8.3	4.2	20.1	15.5
8.0	6.5	-	21.9	12.7
Mounting Height (m)	Across Corridor (Width)			
	0.5	1.0	0.5	1.0
	2.5	2.8	1.9	7.2
3.0	2.6	2.1	7.6	5.1
4.0	2.8	2.2	7.4	5.4
5.0	3.1	2.1	7.3	6.0
6.0	3.1	1.9	8.0	6.0
8.0	2.8	-	8.6	5.4

### OPTIONS

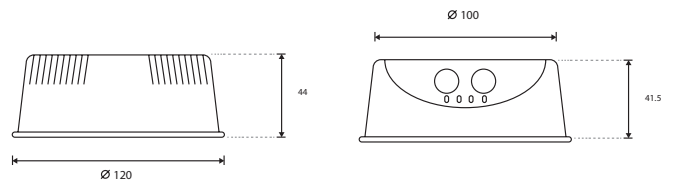
Fitting:	Light Source:	Wattage:	Colour:
CCMD S CO	LED	3W	WH
Options:			
Function Options:			
3HR Emergency (NM3), Self-Test (ST), DALI (DA).			
RAL Colour Available			

# XYLUX LD3

## EMERGENCY



### LINE DRAWING



A self-contained LED non-maintained emergency luminaire incorporating an LED module and battery pack. Built into the system is a deep discharge protection circuit for use with 3.6V 1.7Ah NiMH battery pack. The unit can be surface mounted or recessed into a 105m-110mm cut out using mounting brackets provided.

### TECHNICAL SPECIFICATIONS

Light Source:	3W LED Edison EDEW
Series Mains Input:	230-240V AC 50/60 Hz
Emergency Duration:	3 hours
Battery Type:	3.6V 4.5Ah Nickel Cadmium
Charger:	100mA Constant Current
Recharge Time:	16 Hours
Emergency Output:	56 Lumens
Cut-Off Voltage:	3.0 Volts
Temperature Rating:	35°C Ambient
Beam Angle:	110°

Distance table for even escape routes

Mounting Height (m)	Wall to Trans	Trans to Trans	Axial to Trans	Axial to Axial	Axial to Wall
2.0	2.07	4.68	4.68	4.68	2.07
2.5	2.33	5.49	5.49	5.49	2.33
3.0	2.43	6.17	6.17	6.17	2.43
3.5	2.27	6.64	6.64	6.64	2.27
4.0	1.95	6.92	6.92	6.92	1.95

### OPTIONS

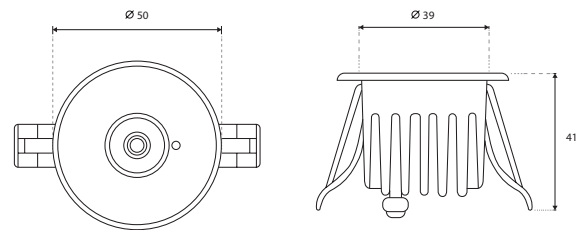
Fitting:	Light Source:	Wattage:	Colour:
XYLUX LD3	LED	3W	WH
Options:			
Function Options:			
3HR Emergency (NM3), Self-Test (ST), DALI (DA).			

# XYLUX LR

## EMERGENCY



### LINE DRAWING



Flexible 3 Hour non-maintained emergency LED luminaire. High performance 3 watt single white LED. Inbuilt reflector designed to achieve maximum output. Complete with Bi-Colour LED charge indicator, 500mm wiring loom and recessed mounting brackets.

### TECHNICAL SPECIFICATIONS

Light Source:	3W LED
Series Mains Input:	230-240V AC 50/60 Hz
Emergency Duration:	3 hours
Battery Type:	3.6V 4.5Ah Nickel Cadmium
Charger:	160mA Constant Current
Recharge Time:	16 Hours
Emergency Output:	150 Lumens
Temperature Rating:	0°C to +35°C Ambient

#### Spacing information Open area (based on 0.5 Lux)

Mounting Height (m)	Luminaire to Luminaire (m)	Luminaire to Wall (m)
2.0	5.37	2.48
2.5	5.94	3.34
3.0	6.69	3.34
3.5	7.15	3.72
4.0	8.01	3.96

#### Spacing information Corridor (based on 1.0 Lux)

Mounting Height (m)	Luminaire to Luminaire (m)	Luminaire to Wall (m)
2.0	6.06	2.65
2.5	7.02	3.09
3.0	7.92	3.33
3.5	8.70	3.62
4.0	9.36	3.73

### OPTIONS

Fitting:	Light Source:	Wattage:	Colour:
XYLUX LR	LED	3W	WH
Options:			
Function Options:			
3HR Emergency (NM3), Self-Test (ST), DALI (DA).			

XYLUX LRG/NA AND D1 10.8LUX  
MACKWELL XYLUX LR3  
STANDARD AND DALI OPTIONS  
AVAILABLE

FRO/6 LED BULHEAD (650 DELIVERED LUMINENS IN EMERGENCY  
LITEMPALN

XYLUX LS

XYLUX LS IP65

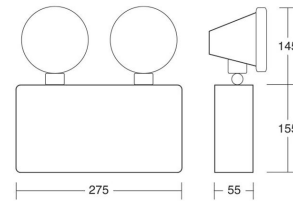


# GRANTA LED

## EMERGENCY



### LINE DRAWING



Twin LED Spot. 3HR Emergency Luminaire. Twin 3 Watt LED head designed to provide emergency lighting solution for wide range of applications.

### TECHNICAL SPECIFICATIONS

Input Voltage:	221-240V AC 50/60 Hz
Power Rating:	2W
Light Source:	18 x White LEDs
Lumen Output:	2 x 380 Lumens
Emergency Duration:	3 Hours
Temperature Rating:	25°C Ambient
Battery Type:	3.6V 4.0Ah Nickel Cadmium
Charger:	200mA Constant Current 0°
Temperature Rating:	C to +35°C Ambient
Recharge Time:	24 Hours
Discharge Current:	Nominal 1100mA
Cut-Off Voltage:	6.0 Volts

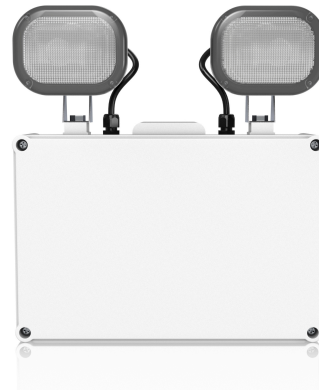
### OPTIONS

Fitting:	Light Source:	Wattage:	Colour:
Granta	LED	6W	WH/BL
Options:			
Colour Options:			
White (WH),			

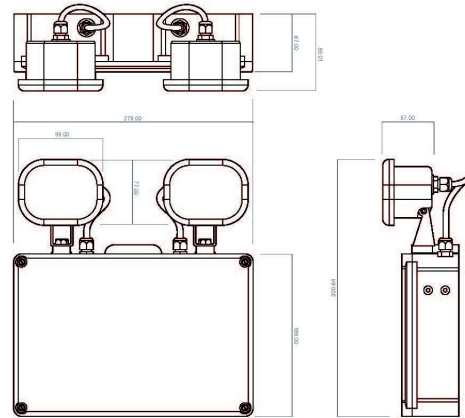
# NEWPORT LED IP65

## EMERGENCY

Non-Maintained emergency luminaire for large open-area or high ceiling applications. Incorporating durable twin, IP65 rated high intensity, adjustable LED light source. Control gear and battery housed in IP65 rated polycarbonate enclosure. Suitable for Anti-Panic, Escape Route and high-risk task area emergency lighting.



LINE DRAWING



### TECHNICAL SPECIFICATIONS

Input Voltage:	230V
Supply Frequency:	AC 50/60 Hz
Supply Current (max):	40mA
LED voltage (Vf) (max):	0-55V
Emergency Duration:	3 Hours
Ingress Protection:	IP65
Battery Type:	4.8V 4.5Ah Nickel Cadmium
Charge Current:	200mA
Temperature Rating:	0°C to +45°C Ambient
Maximum Case Temp:	+70°C
Recharge Time:	24 Hours
Conductor Size:	0.2 to 1.5mm <sup>2</sup>

### OPTIONS

Fitting:	Light Source:	Wattage:	Colour:
NEWPORT	LED	6W	WH/BL
Options:			
Function Options:			
DALI (DA), Self-Test (ST)			